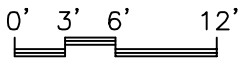
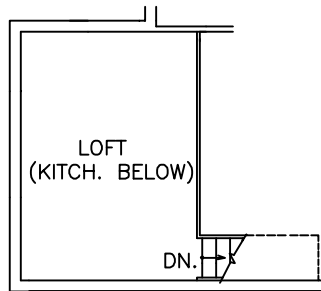


SECOND FL. LOFT UNITS

APPROX. SQ. FT.	
LIVING AREA	1281
NON-LIVING AREA	+120
TOTAL	1401

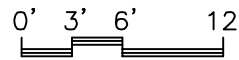


Approximate Scale: 1" = 12'

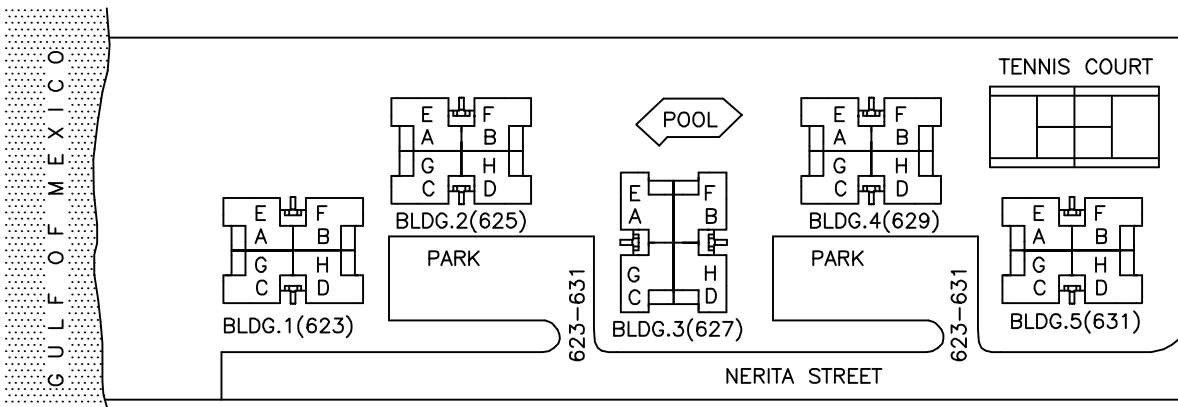


FIRST FL. UNITS

APPROX. SQ. FT.	
LIVING AREA	1200
NON-LIVING AREA	+128
TOTAL	1328



Approximate Scale: 1" = 12'



KEY TO UNITS  
Example: Unit 3A

3=BLDG. NO.  
A=UNIT NO.

A,B,C & D=1 FL.UNITS  
E,F,G & H=2 FL.UNITS

SITE PLAN  
NO SCALE

(40 Units)  
COQUINA BEACH-030